

## Simplex Single Mode Patch Cord

TECHNICAL DATA

REFERENCE SUMMARY

PRODUCTS CATEGORY

**Optical Fiber Patch Cord**

- Simplex Single Mode Patch Cord
- Simplex Multimode Patch Cord
- Duplex Single Mode Patch Cord
- Duplex Multimode Patch Cord
- Copper Patch Cord
- MPO Cable

ORDERING INFORMATION

### PRODUCTS



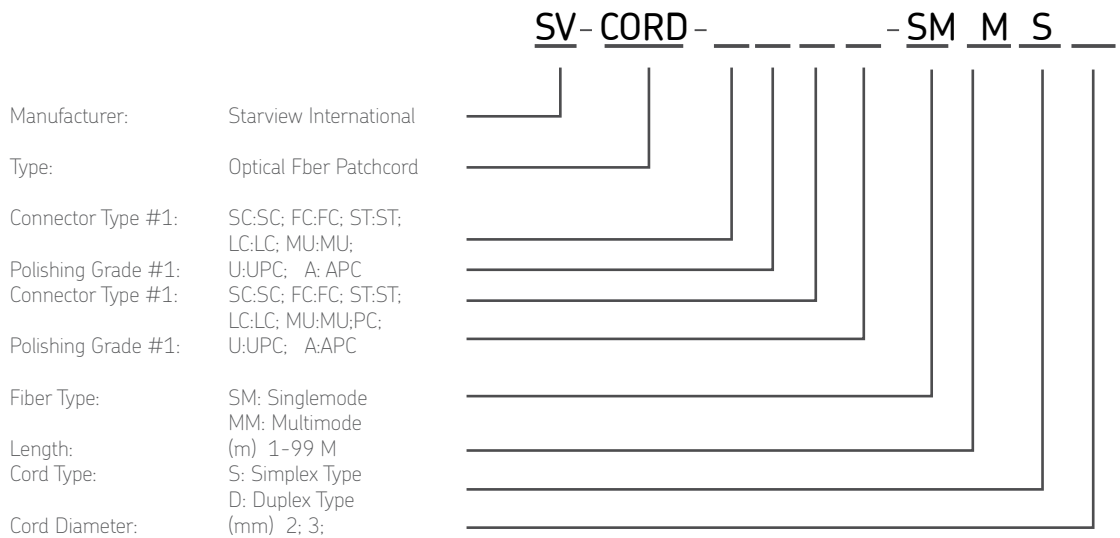
### FEATURES

- The Single Mode Jumper construction is designed to support tough usage, high performance interconnections, easy installation, and saving time
- IEEE 802.3u, IEC 60794, TIA/EIA-568.B.3 compliant
- 9/125µm Single Mode that offers a great wide broadband
- Telcordia GR-326 and IEEE 802.3u/802.3x/802.3z/802.3j standards tested
- 9/125µm Single Mode Riser
- 1.6mm, 2mm, and 3mm Simplex / Duplex
- Fibers offers low insertion loss once joined to connector
- Different type of terminations SC to ST, LC to FC, etc.

### SPECIFICATIONS

SPECIFICATIONS				
Norms and Standards	Telcordia GR-326, IEEE 802.3u/802.3x/802.3z/802.3j, IEC 60794, TIA/EIA-568.B.3			
Fiber Jacket	Diameter	3mm ± 0.05mm	2mm ± 0.05mm	1.6mm ± 0.05mm
	Thickness	0.80mm ± 0.80mm	0.60mm ± 0.50mm	0.6mm ± 0.50mm
	Temperature	-20°C up to 85°C		
Fiber optic	Core diameter	Fiber: 9/125µm		Value: ± 0.70mm
	Cladding diameter	125.0 ± 2.0µm		
	Core concentricity	≤ 1.5µm		
	Cladding concentricity	≤ 1.0%		
	Wavelength	Single mode:	1310 nm	1550 nm
Maximum value	dB/Km	≤ 0.03	≤ 0.02	
Recommended Light source	Single mode:	Laser		

### ORDERING INFORMATION



**Example:**

**SV-CORD-LCULCU-SM1MS2**

Starview Fber Patchcord with LC/UPC to LC/UPC connector, Singlemode 9/125um 1 meter Simplex with type 2mm bend-insensitive fiber