

## Duplex Single Mode Patch Cord

TECHNICAL DATA

REFERENCE SUMMARY

PRODUCTS CATEGORY

**Optical Fiber Patch Cord**

- Simplex Single Mode Patch Cord
- Simplex Multimode Patch Cord
- Duplex Single Mode Patch Cord
- Duplex Multimode Patch Cord
- Copper Patch Cord
- MPO Cable

ORDERING INFORMATION

### PRODUCTS



### FEATURES

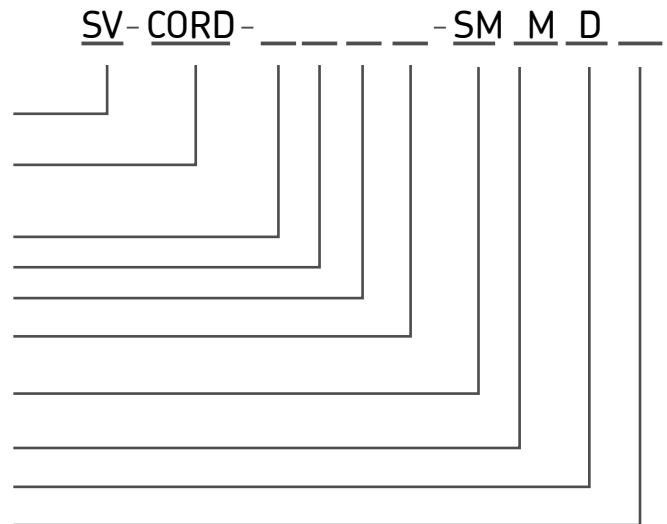
- Different type of terminations SC to ST, LC to FC, etc.
- ANSI/TIA/EIA-568.B.3 compliant
- 50/125µm, 62.5/125µm Multimode Riser
- 1.6mm, 2mm, and 3mm Simplex / Duplex
- IEEE 802.3u, IEC 60794, TIA/EIA-568.B.3 compliant
- Electric interference immune
- Fibers offers low insertion loss once joined to connector
- Telcordia GR-326 tested
- Lab connectorized, each jumpers includes a quality certificate to state measuring standards

### SPECIFICATIONS

SPECIFICATIONS				
Norms and Standards	Telcordia GR-326, IEEE 802.3u/802.3x/802.3z/802.3j, IEC 60794, TIA/EIA-568.B.3			
Fiber Jacket	Diameter	3mm ± 0.05mm	2mm ± 0.05mm	1.6mm ± 0.05mm
	Thickness	0.80mm ± 0.80mm	0.60mm ± 0.50mm	0.6mm ± 0.50mm
	Temperature	-20°C up to 85°C		
Fiber optic	Core diameter	Fiber: 50/125µm, 62.5/125µm,		Value: ± 0.70mm
	Cladding diameter	125.0 ± 2.0µm		
	Core concentricity	≤ 1.5µm		
	Cladding concentricity	≤ 1.0%		
Wavelength	Multimode:	850 nm	1300 nm	
	Maximum value	dB/Km	≤ 0.03	≤ 0.02
Recommended Light source	Multimode:	LED or VCSEL		

### ORDERING INFORMATION

- Manufacturer: Starview International
- Type: Optical Fber Patchcord
- Connector Type #1: SC:SC; FC:FC; ST:ST; LC:LC; MU:MU;
- Polishing Grade #1: U:UPC; A: APC
- Connector Type #1: SC:SC; FC:FC; ST:ST; LC:LC; MU:MU;PC;
- Polishing Grade #1: U:UPC; A:APC
- Fiber Type: SM: Singlemode  
MM: Multimode
- Length: (m) 1-99 M
- Cord Type: S: Simplex Type  
D: Duplex Type
- Cord Diameter: (mm) 2; 3;



**Example:**

**SV-CORD-LCULCU-SM1MD2**

Starview Fber Patchcord with LC/UPC to LC/UPC connector, Singlemode 9/125um 1 meter Duplex with type 2mm bend-insensitive fiber