

TECHNICAL DATA

REFERENCE SUMMARY

PRODUCTS CATEGORY

**Optical Fiber Patch Cord**

- Simplex Single Mode Patch Cord
- Simplex Multimode Patch Cord
- Duplex Single Mode Patch Cord
- Duplex Multimode Patch Cord
- Copper Patch Cord
- MPO Cable

ORDERING INFORMATION

### PRODUCTS



### FEATURES

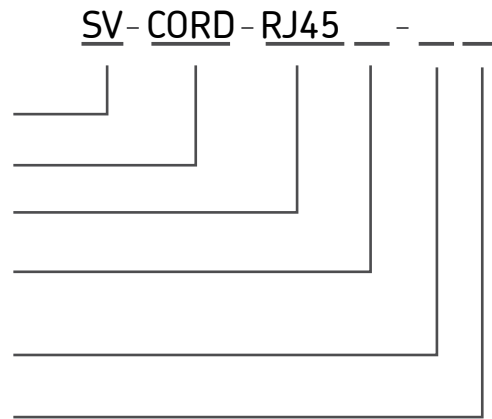
- Snagless, molded boots provide strain relief and prevent kinking as well as snagless cable mining.
- All Cat5e cables tested to 350MHz; Cat6 cables tested to 250MHz.
- All have 4-pair, 24 AWG construction with RJ-45 connectors.
- Available in both straight or crossover pinning.

### SPECIFICATIONS

SPECIFICATIONS			
Norms and Standards	Telcordia GR-326, IEEE 802.3u/802.3x/802.3z/802.3j, IEC 60794, TIA/EIA-568.B.3		
		CAT 5e	CAT 6
Cable Type		4-pair UTP	4-pair UTP
Core diameter		24 AWG, stranded	24 AWG, stranded
Jacket		PVC, 80C,OD=5.3 mm	PVC, 80C,OD=6.2 mm
Frequency		up to 350 MHz	up to 250 MHz/62.5/125µm;
Impedance		100 ± 15 ohms	100 ± 15 ohms@ 100 MHz
Attenuation (max.)		24 dB/100 m @ 100 MHz; 49 dB/100 m @ 350 MHz;	24 dB/100 m @ 100 MHz; 39 dB/100 m @ 250 MHz
Temperature		-20°C up to 85°C	

### ORDERING INFORMATION

- Manufacturer: Starview International
- Type: Optical Fber Patchcord
- Connector Type: RJ-45
- Cable Type: S : straight -through  
C : crossover
- Cable Specs: CAT5E: CAT 5e  
CAT6: CAT 6
- Length: (m) 1-99 M



**Example:**

**SV-CORD-RJ45S-CAT5E1M**

Starview Copper Patchcord (Straight) with RJ45 connectors, CAT5e, 1 meter