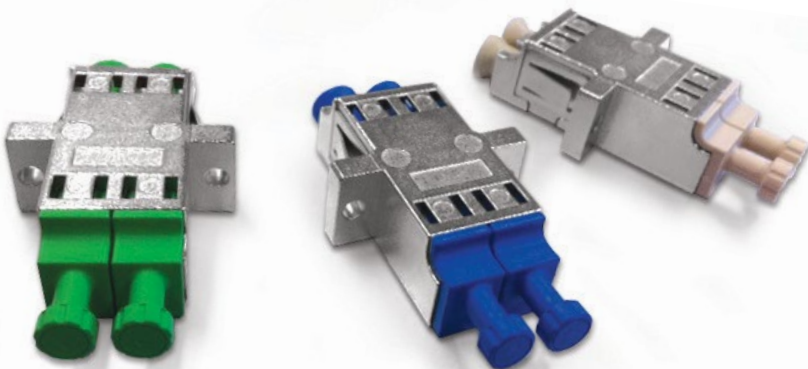
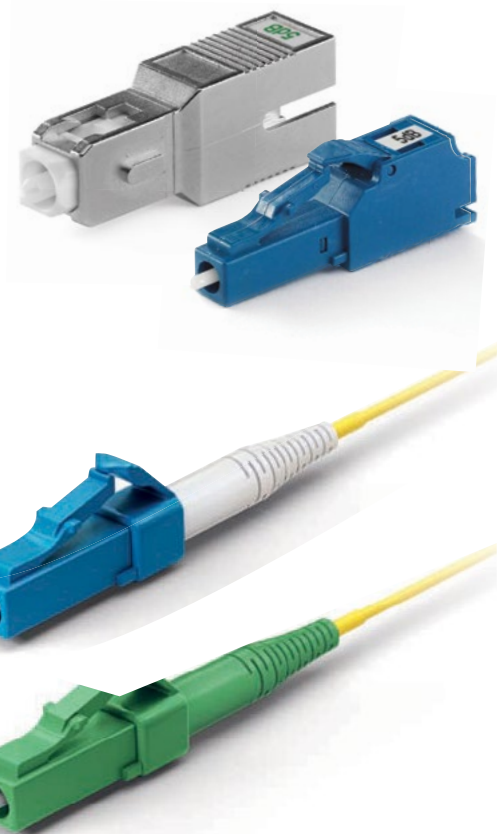


Accessories

Optical Connector
Optical Attenuators
Optical Adapters

Highest quality
and performance



- Cost Effective and fast lead time
- Low insertion loss
- Customized cable length and connectors
- Factory terminated and 100% tested
- Individually packaged with test results included

Accessories

Optical Attenuator



- SC



- LC



- FC



- ST

Features

- Low back reflection and Low PDL
- High precision attenuation value
- Precision control of attenuation range
- Wide attenuation range
- Precision ceramic ferrule
- FC, SC, ST, LC ... optional
- Plastic or metal housing material

Applications

- Fiber optical telecommunication system
- Fiber optical CATV
- Fiber optical sensor
- Testing equipment

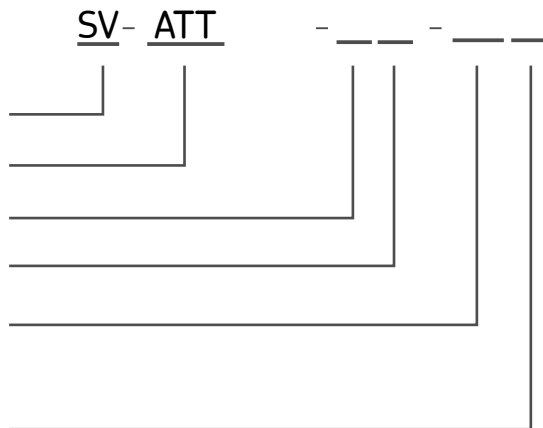
Ordering Information

Example:

SV-ATT-LCU-SM1

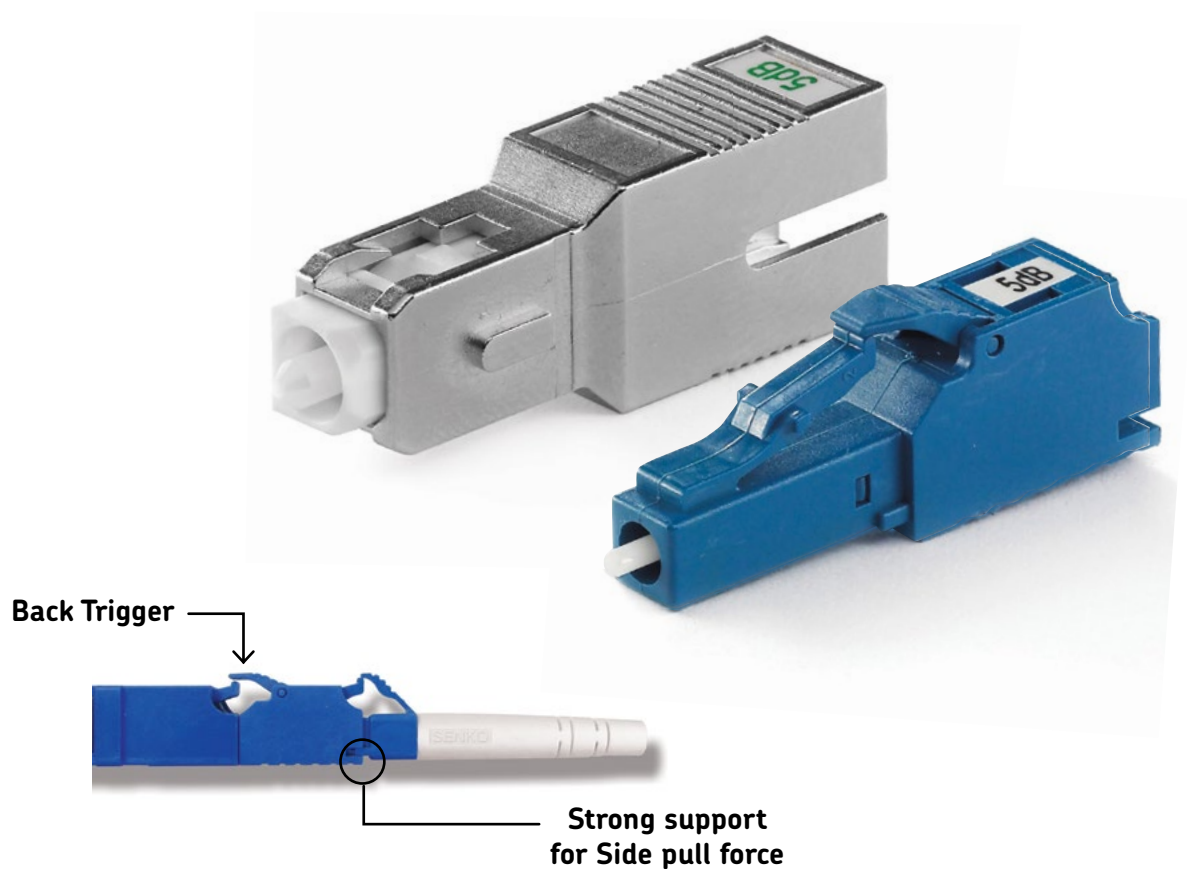
Starview Attenuator with LC/UPC connector, Singlemode type
1dB Attenuation

Manufacturer:	Starview International
Type:	Optical attenuator
Connector Type:	SC:SC; FC:FC; ST:ST; LC:LC;
Polishing Grade:	U:UPC; A: APC
Type:	SM: Singlemode MM: Multi mode
Attenuating Vaule:	01: 1db 03: 3db 05: 5db 10: 10db 15: 15db 20: 20db



SC-APC LC-UPC Attenuators

Highest quality
and performance



Specifications

Parameters	SC	LC	FC	ST
Fastening	1310nm/1550nm	1310nm/1550nm	1310nm/1550nm	1310nm/1550nm
Body	1-10dB(1dB step).	1-10dB(1dB step).	1-10dB(1dB step).	1-10dB(1dB step).
Ferrule	15, 20, 25, 30dB	15, 20, 25, 30dB	15, 20, 25, 30dB	15, 20, 25, 30dB
Ferrule diameter	≥ 50 dB PC	≥ 50 dB PC	≥ 50 dB PC	≥ 50 dB PC
Polish	≥ 55 dB UPC	≥ 55 dB UPC	≥ 55 dB UPC	≥ 55 dB UPC
Ferrule tolerance	≥ 60 dB APC	≥ 60 dB APC	≥ 60 dB APC	≥ 60 dB APC
	≤ 1.0 (11-30dB)	≤ 1.0 (11-30dB)	≤ 1.0 (11-30dB)	≤ 1.0 (11-30dB)
Insertion loss	-40°C to 85°C	-40°C to 85°C	-40°C to 85°C	-40°C to 85°C